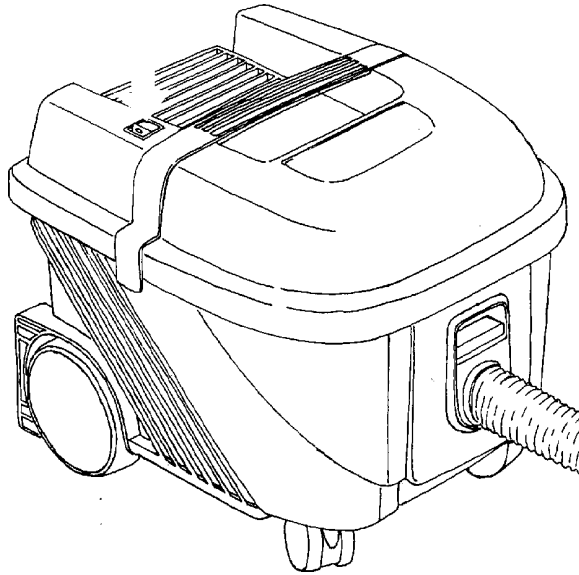


## UZ 934 DRY VACUUM CLEANER

B

0.6.3

1

**DESCRIPTION****PLAN**

Cover &amp; Container

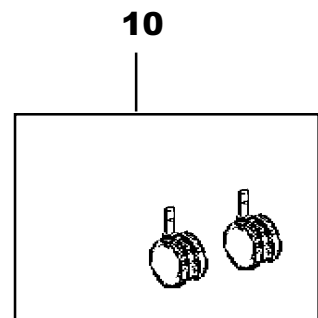
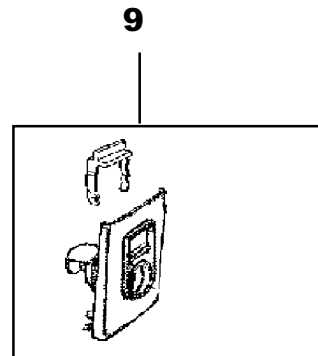
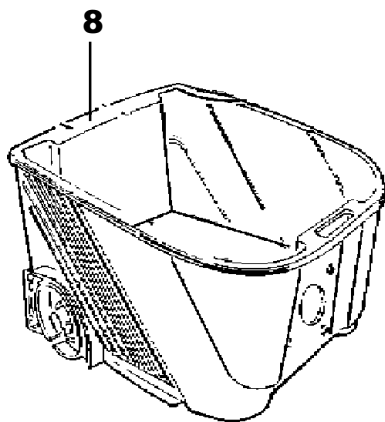
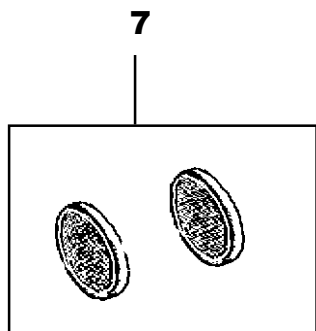
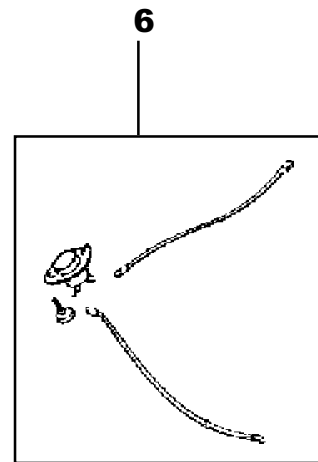
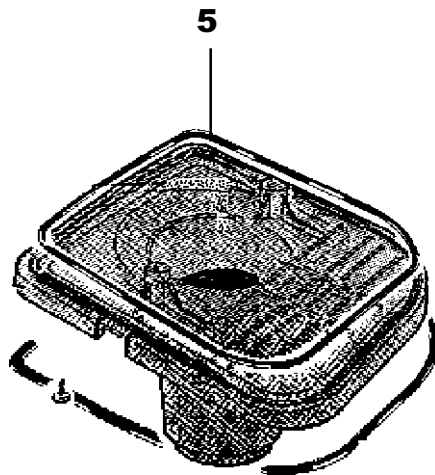
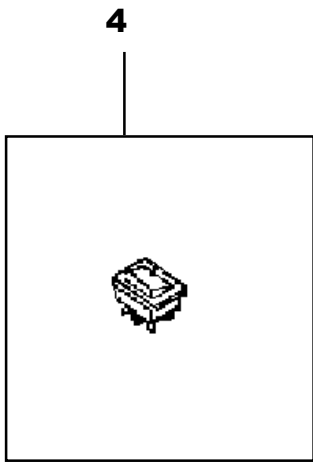
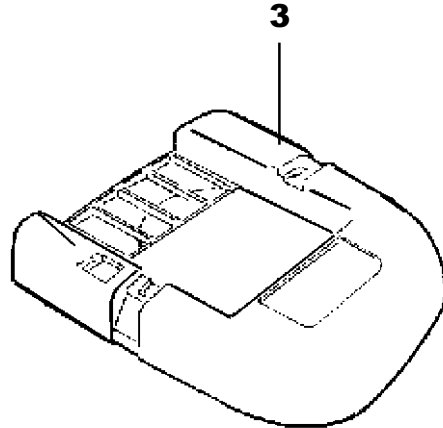
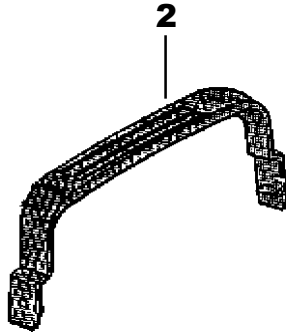
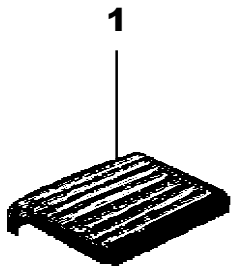
B - 0.6.3 - 3

Filter, fan units &amp; cord set

B - 0.6.3 - 5

Nozzles, tubes, hose

B - 0.6.3 - 7



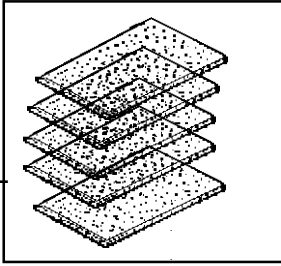
<b>03-11</b>	<b>SPARE PART KIT SET UZ 934</b>	<b>BOOK B</b>		
<b>04-04</b>	<b>COVER &amp; CONTAINER PARTS</b>	<b>B</b>	<b>0.6.3</b>	<b>3</b>

<u>Item.No.</u>	<u>Part No</u>	<u>Qty.</u>	<u>Description</u>	<u>Note</u>	<u>EAN code</u>
1	140 6873 500	1	Grating		7319519631937
2	140 6872 500	1	Handle		7319519631920
3	140 6871 500	1	Cover, grey		7319519631906
3	140 6871 520	1	Cover, blue	UL-approved	7319519631913
4	<b>P</b> 140 5496 510	1	Switch		
	>> 140 5496 510	1	Switch	UL-approved	7319519631739
5	140 6870 500	1	Cover lower, kit	with gaskets	7319519631890
5	140 6870 510	1	Cover lower, kit	UL-approved with gaskets	7319519632361
6	140 3894 500	1	Thermo protector kit	Screw and wires included	7319519631715
7	140 8458 500	2	Wheels, kit	2 Wheels	7319519632002
8	140 6408 500	1	Container, blue		7319519631746
8	140 6408 510	1	Container, grey		7319519631753
9	140 7205 500	1	Trigger kit	with connector	7319519631982
10	140 6422 500	2	Link wheels kit	2 wheels	7319519631760

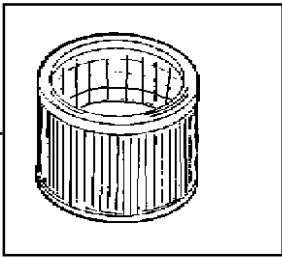
>> Means: New or changed ref. number or/and changed/new specifications

**P:** Means depleted when no longer on stock. Replaced by 140 5496 510

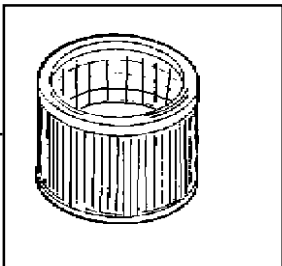
1



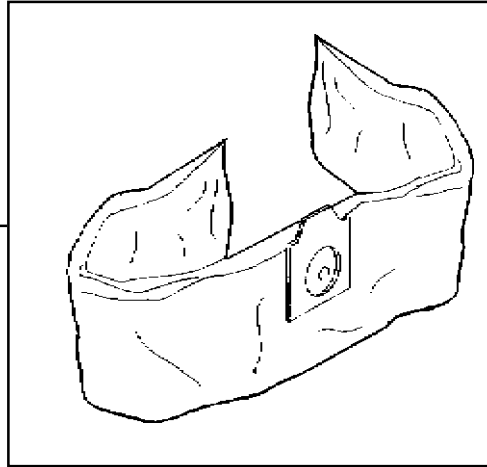
2



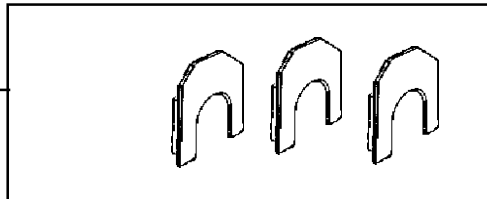
3



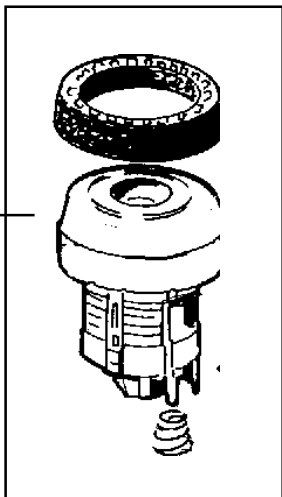
4



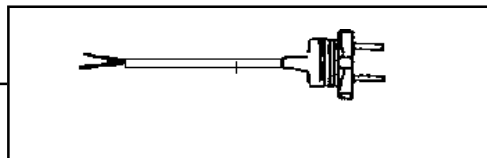
5



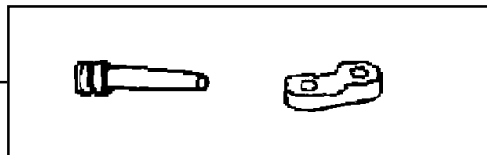
6



7



8



<b>03-11</b>	<b>SPARE PART KIT SET UZ 934</b>	<b>BOOK B</b>		
<b>04-02</b>	<b>FILTER, FAN UNIT &amp; CORD</b>	<b>B</b>	<b>0.6.3</b>	<b>5</b>

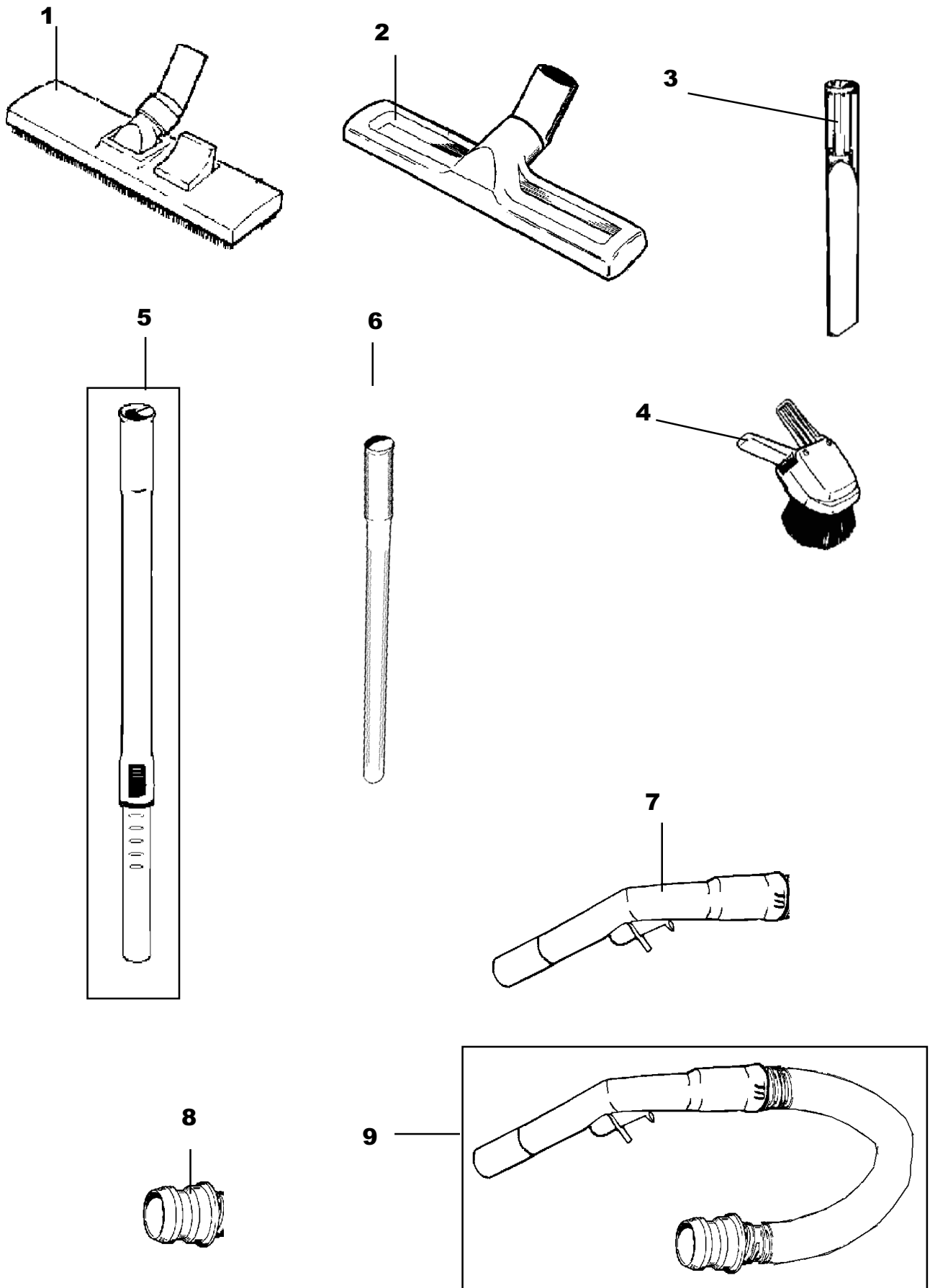
<b>Item.No.</b>	<b>Part No</b>	<b>Qty.</b>	<b>Description</b>	<b>Note</b>	<b>EAN code</b>
1	140 6879 500	5	Exhaust filter, kit	5 pcs.	7319519631944
2	140 6880 500	1	Main filter		7319519631951
3	140 7542 010	1	HEPA-filter		7319519482904
4	140 6905 020	10	Dust Bag 10-p		7319519403367
5	>>140 6744 500	3	Lock washer	3 pcs.	7319519631883
6	140 7902 500	1	Fan unit 230V	Suspension & springs	7319519605785
6	140 7902 510	1	Fan unit 110-120V	"	7319519605792
6	140 7902 520	1	Fan unit 240V	"	7319519605808
6	140 7902 530	1	Fan unit 100V	"	7319519605815
6	140 7902 540	1	Fan unit 127V	"	7319519605822
7	140 6423 500	1	Cord 15 m EU-plug	Double insulated	7319519631777
7	140 6423 510	1	Cord 10 m EU-plug	"	7319519631784
7	140 6423 520	1	Cord 15 m CH-plug	"	7319519631791
7	140 6423 530	1	Cord 15 m UK-plug	"	7319519631807
7	140 6423 540	1	Cord 10 m UK-plug	"	7319519631814
7	140 6423 550	1	Cord 15m US-plug	Grounded	7319519631821
7	140 6423 560	1	Cord 10m US-plug	"	7319519631838
7	140 6423 570	1	Cord 15 m JP-plug	Double insulated	7319519631845
7	140 6423 580	1	Cord 14 m AU-plug	"	7319519631852
8	140 7035 500	1	Sleeve & anti strain clip, kit		7319519631968
8	140 7035 510	1	Sleeve & anti strain clip US, kit		7319519631975

>> Means: New or changed ref. number or/and changed/new specifications

**B 0.6.3**

**6**

**NOZZLE, HOSE & TUBE 32 mm**



<b>03-11</b>	<b>SPARE PART KIT SET UZ 934</b>	<b>BOOK B</b>		
	<b>NOZZLES, HOSE &amp; TUBE 32 mm</b>	<b>B</b>	<b>0.6.3</b>	<b>7</b>

<u>Item.No.</u>	<u>Part No</u>	<u>Qty.</u>	<u>Description</u>	<u>Note</u>	<u>EAN code</u>
1	11980300	1	Combination nozzle	Grey	
2	140 6701 500	1	Multi surface nozzle	Black	7319519631876
3	010 3098 500	1	Crevice nozzle	Black	7319519629156
4	011 3104 500	1	Small combi nozzle	Black	7319519629163
5	011 6431 500	1	Extension tube aluminium	L=500 mm	7319519631685
6	011 8130 500	1	Telescopic extension tube,	Aluminium min 630 mm max. 950 mm	7319519631692
7	140 7584 500	1	Hose handle	w.suction control	7319519631999
8	140 3304 500	1	Inlet sleeve	Ø 32 mm	7319519631708
9	140 6430 500	1	Hose complete	Hose & handle	7319519631869